

User's and Service Guide

Agilent Technologies 85039B 75 Ω Type-F Calibration Kit



Agilent Technologies

Part Number: 85039-90002

Printed in USA

Print Date: July 2002

Supersedes: October 1997

© Copyright 1997, 2002 Agilent Technologies, Inc.

DOCUMENTATION WARRANTY

THE MATERIAL CONTAINED IN THIS DOCUMENT IS PROVIDED "AS IS," AND IS SUBJECT TO BEING CHANGED, WITHOUT NOTICE, IN FUTURE EDITIONS. FURTHER, TO THE MAXIMUM EXTENT PERMITTED BY APPLICABLE LAW, AGILENT DISCLAIMS ALL WARRANTIES, EITHER EXPRESS OR IMPLIED WITH REGARD TO THIS MANUAL AND ANY INFORMATION CONTAINED HEREIN, INCLUDING BUT NOT LIMITED TO THE IMPLIED WARRANTIES OF MERCHANTABILITY AND FITNESS FOR A PARTICULAR PURPOSE. AGILENT SHALL NOT BE LIABLE FOR ERRORS OR FOR INCIDENTAL OR CONSEQUENTIAL DAMAGES IN CONNECTION WITH THE FURNISHING, USE, OR PERFORMANCE OF THIS DOCUMENT OR ANY INFORMATION CONTAINED HEREIN. SHOULD AGILENT AND THE USER HAVE A SEPARATE WRITTEN AGREEMENT WITH WARRANTY TERMS COVERING THE MATERIAL IN THIS DOCUMENT THAT CONFLICT WITH THESE TERMS, THE WARRANTY TERMS IN THE SEPARATE AGREEMENT WILL CONTROL

Assistance

Product maintenance agreements and other customer assistance agreements are available for Agilent products.

For any assistance, contact Agilent Technologies. Refer to [Table 5-1 on page 5-3](#).

1. General Information

Calibration Kit Overview	1-2
Incoming Inspection	1-4
Recording the Device Serial Numbers	1-5
Clarifying the Sex of a Connector	1-6
Preventive Maintenance	1-6

2. Specifications

Environmental Requirements	2-2
Mechanical Characteristics	2-3
Electrical Specifications	2-3

3. Use, Maintenance, and Care of the Devices

Electrostatic Discharge	3-2
Visual Inspection	3-3
Cleaning Connectors	3-4
Connections	3-6
Using the Adapters in Reflection Measurements	3-10
Using the Adapters in Reflection/Transmission Measurements	3-11
Handling and Storage	3-12

4. Performance Verification

Introduction	4-2
Recertification	4-3

5. Troubleshooting

Troubleshooting Process	5-2
Returning a Kit or Device to Agilent	5-3

6. Replaceable Parts

Introduction	6-2
------------------------	-----

A. Standard Definitions

Standard Class Assignments	A-2
Nominal Standard Definitions	A-4

1 General Information

Calibration Kit Overview

The Agilent 85039B Option M0F, Option 00M, and Option 00F type-F calibration kits are used to calibrate Agilent network analyzers up to 3 GHz for measurements of components with 75 Ω type-F connectors.

CAUTION If you have an Agilent 85039A 75 Ω type-F calibration kit, it should be noted that the parts are *not* interchangeable with this kit. Interchanging the parts will invalidate the calibration definitions.

Kit Contents

The 85039B Option M0F calibration kit contains the following:

- one male and one female 75 Ω type-F open termination
- one male and one female 75 Ω type-F short termination
- one male and one female 75 Ω type-F load
- two 75 Ω type-F to 75 Ω type-F adapters
- two 75 Ω type-F to 75 Ω type-N adapters
- a data disk that contains the calibration definitions of the devices in the kit

Refer to [Table 6-1 on page 6-3](#) and [Figure 6-1 on page 6-2](#) for a complete list of kit contents and their associated part numbers.

The 85039B Option 00M calibration kit contains the following:

- one male 75 Ω type-F open termination
- one male 75 Ω type-F short termination
- one male 75 Ω type-F load
- one 75 Ω type-F male to 75 Ω type-F male adapter
- a data disk that contains the calibration definitions of the devices in the kit

Refer to [Table 6-2 on page 6-4](#) for a complete list of kit contents and their associated part numbers.

The 85039B Option 00F calibration kit contains the following:

- one female 75 Ω type-F open termination
- one female 75 Ω type-F short termination
- one female 75 Ω type-F load
- one 75 Ω type-F female to 75 Ω type-F female adapter
- a data disk that contains the calibration definitions of the devices in the kit

Refer to [Table 6-3 on page 6-4](#) for a complete list of kit contents and their associated part numbers.

Broadband Loads

The broadband loads are metrology-grade, 75 Ω terminations that have been optimized for performance up to 3 GHz. The rugged internal structure provides for highly repeatable connections. A distributed resistive element on ceramic provides excellent stability and return loss.

Opens and Shorts

The opens and shorts are built from parts that are machined to the current state-of-the-art precision machining.

The short's inner conductors have a one-piece construction, common with the shorting plane. This construction provides for extremely repeatable connections.

The female open has a separate-piece inner conductor that is made from a low-dielectric-constant plastic to minimize compensation values.

Both the opens and shorts are constructed so that the pin depth can be controlled very tightly, thereby minimizing phase errors. The opens and shorts have offsets. The lengths of these offsets are designed so that the difference in phase of their reflection coefficients is approximately 180 degrees at all frequencies.

Adapters

Like the other devices in the kit, the adapters are built to very tight tolerances to provide good broadband performance.

Calibration Definitions

The calibration kit must be selected and the calibration definitions for the devices in the kit installed in the network analyzer prior to performing a calibration. Refer to your network analyzer user's guide for instructions on selecting the calibration kit and performing a calibration.

The calibration definitions can be:

- resident within the analyzer
- loaded from the provided disk
- entered from the front panel

Installation of the Calibration Definitions

The calibration definitions for the kit may be permanently installed in the internal memory or hard disk of the network analyzer.

If the calibration definitions for the kit are not permanently installed in the network analyzer, they must be manually entered. Refer to your network analyzer user's guide for instructions.

Equipment Required but Not Supplied

Adapters, a cable set, a torque wrench, ESD protective devices, and various connector cleaning supplies are *not* included in the calibration kit but are required to ensure successful operation of the calibration kit. Refer to [Table 6-4 on page 6-5](#) for ordering information

Incoming Inspection

Verify that the shipment is complete by referring to [Figure 6-1 on page 6-2](#).

Check for damage. The foam-lined storage case provides protection during shipping.

If the case or any device appears damaged, or if the shipment is incomplete, contact Agilent. See [Table 5-1 on page 5-3](#). Agilent will arrange for repair or replacement of incomplete or damaged shipments without waiting for a settlement from the transportation company.

When you send the kit or device to Agilent, include a service tag (found near the end of this manual) with the following information:

- your company name and address
- the name of a technical contact person within your company, and the person's complete phone number
- the model number and serial number of the kit
- the part number and serial number of the device
- the type of service required
- a *detailed* description of the problem

Recording the Device Serial Numbers

In addition to the kit serial number, the devices in this kit are individually serialized (serial numbers are labeled onto the body of each device). Record these serial numbers in [Table 1-1](#) for the 85039B Option M0F, in [Table 1-2](#) for the Option 00M, and in [Table 1-3](#) for the Option 00F. Recording the serial numbers will prevent confusing the devices in this kit with similar devices in other kits.

Table 1-1 Serial Number Record for 85039B Option M0F

Device	Serial Number
Calibration kit	_____
Male broadband load	_____
Female broadband load	_____
Male open	_____
Female open	_____
Male short	_____
Female short	_____
Type-F male to male adapter	_____
Type-F- female to female adapter	_____
Type-F- male to female adapter	_____

Table 1-2 Serial Number Record for 85039B Option 00M

Device	Serial Number
Calibration kit	_____
Male broadband load	_____
Male open	_____
Male short	_____
Type-F male to male adapter	_____

Table 1-3 Serial Number Record for 85039B Option 00F

Device	Serial Number
Calibration kit	
Female broadband load	
Female open	
Female short	
Type-F- female to female adapter	

Clarifying the Sex of a Connector

In this manual, the sex of calibration devices and adapters are referred to in terms of their connector interface. For example, a male open has a male connector.

However, during a measurement calibration, the network analyzer softkey menus label a type-F calibration device with reference to the sex of the analyzer's test port connector—not the calibration device connector. For example, the label `SHORT(F)` on the analyzer's display refers to the short that is to be connected to the female test port. This will be a male short from the calibration kit.

Preventive Maintenance

The best techniques for maintaining the integrity of the devices in this kit include:

- routine visual inspection
- cleaning
- proper gaging
- proper connection techniques

All of the above are described in [Chapter 3](#), “Use, Maintenance, and Care of the Devices.” Failure to detect and remove dirt or metallic particles on a mating plane surface can degrade repeatability and accuracy and can damage any connector mated to it. Improper connections, resulting from pin depth values being out of the limits (see [Table 2-2 on page 2-3](#)), or from bad connections, can also damage these devices.

2 Specifications

Environmental Requirements

Table 2-1 Environmental Requirements

Parameter	Limits
Operating Temperature ^a	+15 °C to +35 °C (+59 °F to +95 °F)
Error-Corrected Temperature Range ^b	±1 °C of measurement calibration temperature
Storage Temperature	-40 °C to +75 °C (-40 °F to +167 °F)
Altitude:	
Operation	< 4,500 meters (≈15,000 feet)
Storage	< 15,000 meters (≈50,000 feet)
Relative Humidity	Always non-Condensing
Operation	0 to 80% (26 °C maximum dry bulb)
Storage	0 to 95%

- a. The temperature range over which the calibration standards maintain conformance to their specifications.
- b. The allowable network analyzer ambient temperature drift during measurement calibration and during measurements when the network analyzer error correction is turned on. Also, the range over which the network analyzer maintains its specified performance while correction is turned on.

Temperature—What to Watch Out For

Changes in temperature can affect electrical characteristics. Therefore, the operating temperature is a critical factor in performance. During a measurement calibration, the temperature of the calibration devices must be stable and within the range specified in [Table 2-1](#).

IMPORTANT Avoid unnecessary handling of the devices during calibration because your fingers are a heat source.

Mechanical Characteristics

The mechanical characteristics in [Table 2-2](#) apply to the devices in the 85039B 75Ω type-F calibration kit.

Table 2-2 Mechanical Characteristics

75Ω Device	Characteristics
All type-F adapters	Pin depth: 0.0 to 0.1 mm (0.0 in to 0.004 in)
All type-N male connectors	Pin depth: 5.26 to 5.36 mm (0.207 in to 0.211 in)
All type-N female connectors	Pin depth: 5.18 to 5.26 mm (0.204 in to 0.207 in)

Electrical Specifications

The electrical specifications in [Table 2-3](#) apply to the devices in the 85039B 75Ω type-F calibration kit when connected with an Agilent precision interface.

NOTE The following specifications for female devices assumes a 0.77 mm to 0.86 mm (0.030 in to 0.034 in) diameter male pin. For calibration kit certification of female devices a 0.81 mm (0.032 in) diameter male pin will be used.

Table 2-3 Electrical Specifications

75Ω Type-F Device	Specification	Frequency
Male Load, Female Load:	Return Loss ≥ 45 dB ($\rho \leq 0.006$)	dc to ≤ 1 GHz
	Return Loss ≥ 38 dB ($\rho \leq 0.013$)	> 1 to ≤ 3 GHz
Male Short ^a , Female Short:	±0.60° from nominal	dc to ≤ 1 GHz
	±1.00° from nominal	> 1 to ≤ 3 GHz
Male Open ^a , Female Open:	±0.55° from nominal	dc to ≤ 1 GHz
	±1.30° from nominal	> 1 to ≤ 3 GHz
Adapters:		
Type-F to Type-F	Return Loss ≥ 40 dB ($\rho \leq 0.013$)	dc to ≤ 1 GHz
	Return Loss ≥ 32 dB ($\rho \leq 0.025$)	> 1 to ≤ 3 GHz
Type-N to Type-F	Return Loss ≥ 38 dB ($\rho \leq 0.013$)	dc to ≤ 1 GHz
	Return Loss ≥ 32 dB ($\rho \leq 0.025$)	> 1 to ≤ 3 GHz

a. The specifications for the open and short are given as allowed deviation from the *nominal* model as defined in the standard definitions. See [Table 2-3](#).

System Performance

The specifications for the system performance are calculated from the electrical measurement data. The system performance of the devices over the pin diameter range are not measured as part of the calibration kit certification, but are guaranteed by design. Only the specifications in [Table 2-4](#) are measured for calibration kit certification.

Table 2-4 System Specifications

Pin Diameter	Directivity	Source Match	Refl. Tracking	Frequency
0.77 mm (0.030 in) to 0.86 mm (0.034in):	-45 dB -38 dB	-40 dB -30 dB	±0.06 dB ±0.24 dB	dc to ≤ 1 GHz > 1 to ≤ 3 GHz
0.56 mm (0.022 in) to 1.07 mm (0.042 in):	-40 dB -30 dB	-38 dB -27 dB	±0.09 dB ±0.27 dB	dc to ≤ 1 GHz > 1 to ≤ 3 GHz

Certification

Agilent Technologies certifies that this product met its published specifications at the time of shipment from the factory. Agilent further certifies that its calibration measurements are traceable to the United States National Institute of Standards and Technology (NIST) to the extent allowed by the institute's calibration facility, and to the calibration facilities of other International Standards Organization members. See [“How Agilent Verifies the Devices in This Kit” on page 4-2](#) for more information.

3 Use, Maintenance, and Care of the Devices

Electrostatic Discharge

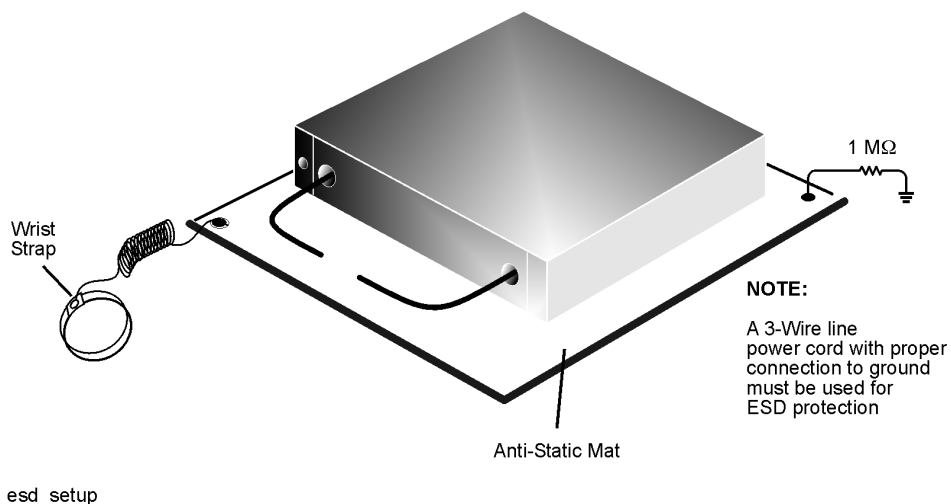
Protection against ESD (electrostatic discharge) is essential while connecting, inspecting, or cleaning connectors attached to a static-sensitive circuit (such as those found in test sets).

Static electricity can build up on your body and can easily damage sensitive internal circuit elements when discharged. Static discharges too small to be felt can cause permanent damage. Devices such as calibration components and devices under test (DUTs), can also carry an electrostatic charge. To prevent damage to the test set, components, and devices:

- *always* wear a grounded wrist strap having a 1 M Ω resistor in series with it when handling components and devices or when making connections to the test set.
- *always* use a grounded, conductive table mat while making connections.
- *always* wear a heel strap when working in an area with a conductive floor. If you are uncertain about the conductivity of your floor, wear a heel strap.
- *always* ground yourself before you clean, inspect, or make a connection to a static-sensitive device or test port. You can, for example, grasp the grounded outer shell of the test port or cable connector briefly.
- *always* ground the center conductor of a test cable before making a connection to the analyzer test port or other static-sensitive device. This can be done as follows:
 1. Connect a short (from your calibration kit) to one end of the cable to short the center conductor to the outer conductor.
 2. While wearing a grounded wrist strap, grasp the outer shell of the cable connector.
 3. Connect the other end of the cable to the test port.
 4. Remove the short from the cable.

Refer to [Chapter 6, "Replaceable Parts,"](#) for part numbers and instructions for ordering ESD protective devices.

Figure 3-1 ESD Protection Setup



Visual Inspection

Visual inspection and, if necessary, cleaning should be done every time a connection is made. Metal particles from the connector threads may fall into the connector when it is disconnected. One connection made with a dirty or damaged connector can damage both connectors beyond repair.

In some cases, magnification is necessary to see damage on a connector; a magnifying device with a magnification of $\geq 10\times$ is recommended. However, not all defects that are visible only under magnification will affect the electrical performance of the connector. Use the following guidelines when evaluating the integrity of a connector.

Look for Obvious Defects and Damage First

Examine the connectors first for obvious defects and damage: badly worn plating on the connector interface, deformed threads, or bent, broken, or misaligned center conductors. Connector nuts should move smoothly and be free of burrs, loose metal particles, and rough spots.

What Causes Connector Wear?

Connector wear is caused by connecting and disconnecting the devices. The more use a connector gets, the faster it wears and degrades. The wear is greatly accelerated when connectors are not kept clean, or are connected incorrectly.

Connector wear eventually degrades performance of the device. Calibration devices should have a long life if their use is on the order of a few times per week. Replace devices with worn connectors.

The test port connectors on the network analyzer test set may have many connections each day, and are therefore more subject to wear. It is recommended that an adapter be used as a test port saver to minimize the wear on the test set's test port connectors.

Inspect the Mating Plane Surfaces

Flat contact between the connectors at all points on their mating plane surfaces is required for a good connection. Look especially for deep scratches or dents, and for dirt and metal particles on the connector mating plane surfaces. Also look for signs of damage due to excessive or uneven wear or misalignment.

Light burnishing of the mating plane surfaces is normal, and is evident as light scratches or shallow circular marks distributed more or less uniformly over the mating plane surface. Other small defects and cosmetic imperfections are also normal. None of these affect electrical or mechanical performance.

If a connector shows deep scratches or dents, particles clinging to the mating plane surfaces, or uneven wear, clean and inspect it again. Devices with damaged connectors should be discarded. Determine the cause of damage before connecting a new, undamaged connector in the same configuration.

Inspect the Precision Slotless Connectors (female)

Precision slotless female connectors are used to improve accuracy. The slotless contacts are not affected by the slight variations in male contact pin diameter. However, it is still advisable to inspect them regularly for damage.

NOTE Inspection is particularly important when mating nonprecision to precision devices.

Cleaning Connectors

Clean connectors are essential for ensuring the integrity of RF and microwave coaxial connections.

1. Use Compressed Air or Nitrogen

WARNING Always use protective eyewear when using compressed air or nitrogen.

Use compressed air (or nitrogen) to loosen particles on the connector mating plane surfaces.

You can use any source of clean, dry, low-pressure compressed air or nitrogen that has an effective oil-vapor filter and liquid condensation trap placed just before the outlet hose.

Ground the hose nozzle to prevent electrostatic discharge, and set the air pressure to less than 414 kPa (60 psi) to control the velocity of the air stream. High-velocity streams of compressed air can cause electrostatic effects when directed into a connector. These electrostatic effects can damage the device. Refer to “[Electrostatic Discharge](#),” earlier in this chapter for additional information.

2. Clean the Connector Threads

WARNING Keep isopropyl alcohol away from heat, sparks, and flame. Store in a tightly closed container. It is extremely flammable. In case of fire, use alcohol foam, dry chemical, or carbon dioxide; water may be ineffective.

Use isopropyl alcohol with adequate ventilation and avoid contact with eyes, skin, and clothing. It causes skin irritation, may cause eye damage, and is harmful if swallowed or inhaled. It may be harmful if absorbed through the skin. Wash thoroughly after handling.

In case of spill, soak up with sand or earth. Flush spill area with water.

Dispose of isopropyl alcohol in accordance with all applicable federal, state, and local environmental regulations.

Use a lint-free swab or cleaning cloth moistened with isopropyl alcohol to remove any dirt or stubborn contaminants on a connector that cannot be removed with compressed air or nitrogen. Refer to [Table 6-4 on page 6-5](#) for part numbers for isopropyl alcohol and cleaning swabs.

- a. Apply a small amount of isopropyl alcohol to a lint-free cleaning swab.
- b. Clean the connector threads.
- c. Let the alcohol evaporate, then blow the threads dry with a gentle stream of clean, low-pressure compressed air or nitrogen. Always completely dry a connector before you reassemble or use it.

3. Clean the Mating Plane Surfaces

- a. Apply a small amount of isopropyl alcohol to a lint-free cleaning swab.
- b. Clean the center and outer conductor mating plane surfaces. When cleaning a female connector, avoid snagging the swab on the center conductor contact fingers by using short strokes.
- c. Let the alcohol evaporate, then blow the connector dry with a gentle stream of clean, low-pressure compressed air or nitrogen. Always completely dry a connector before you reassemble or use it.

4. Reinspect

Inspect the connector again to make sure that no particles or residue are present.

Connections

Good connections require a skilled operator. *The most common cause of measurement error is bad connections.* The following procedures illustrate how to make good connections.

CAUTION Many type-F “feedthrough” connectors use the cable center conductor as the male pin. These cable center conductors often exceed the 1.07 mm (0.042 in) maximum pin specification and will destroy the calibration kit female standards. Damage will also occur to the female standards if the pins of the “feedthrough” connectors are not properly dressed.

CAUTION Never mate a 50 ohm connector with a 75 ohm connector. The larger center pin of a male 50 ohm connector will destroy the contact fingers of a female 75 ohm connector.

How to Make a Connection

Preliminary Connection

1. Ground yourself and all devices. Wear a grounded wrist strap and work on a grounded, conductive table mat. Refer to [“Electrostatic Discharge” on page 3-2](#) for ESD precautions.
2. Visually inspect the connectors. Refer to [“Visual Inspection” on page 3-3](#).
3. If necessary, clean the connectors. Refer to [“Cleaning Connectors” on page 3-4](#).
4. Carefully align the connectors. The male connector center pin must slip concentrically into the contact finger of the female connector.
5. Push the connectors straight together.

CAUTION Do **not** turn the device body. Only turn the connector nut. Damage to the center conductor can occur if the device body is twisted.

Do *not* twist or screw the connectors together. As the center conductors mate, there is usually a slight resistance.

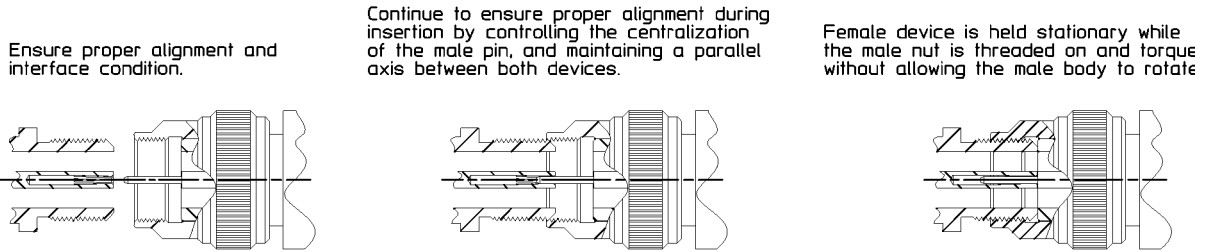
6. The preliminary connection is tight enough when the mating plane surfaces make uniform, light contact. Do not overtighten this connection.

A connection in which the outer conductors make gentle contact at all points on both mating surfaces is sufficient. Very light finger pressure is enough to accomplish this.

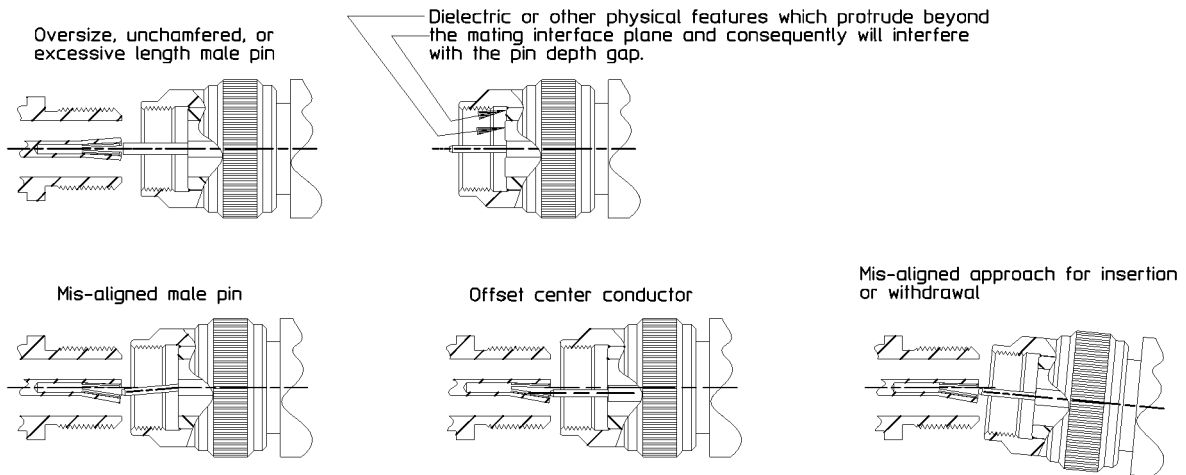
7. Make sure the connectors are properly supported. Relieve any side pressure on the connection from long or heavy devices or cables.

Figure 3-2 Female Connectors

KEY CONSIDERATIONS TO AVOID FEMALE FINGER DAMAGE OR PREMATURE FAILURE



POTENTIAL CONDITIONS WHICH CAUSE FEMALE FINGER DAMAGE OR FAILURE



pk46b

Final Connection Using a Torque Wrench

1. Use a torque wrench to make a final connection. [Table 3-1](#) provides information about the torque wrench recommended for use with this calibration kit. A torque wrench is *not* included in the calibration kit. Refer to [Chapter 6, "Replaceable Parts,"](#) for part number and ordering information.

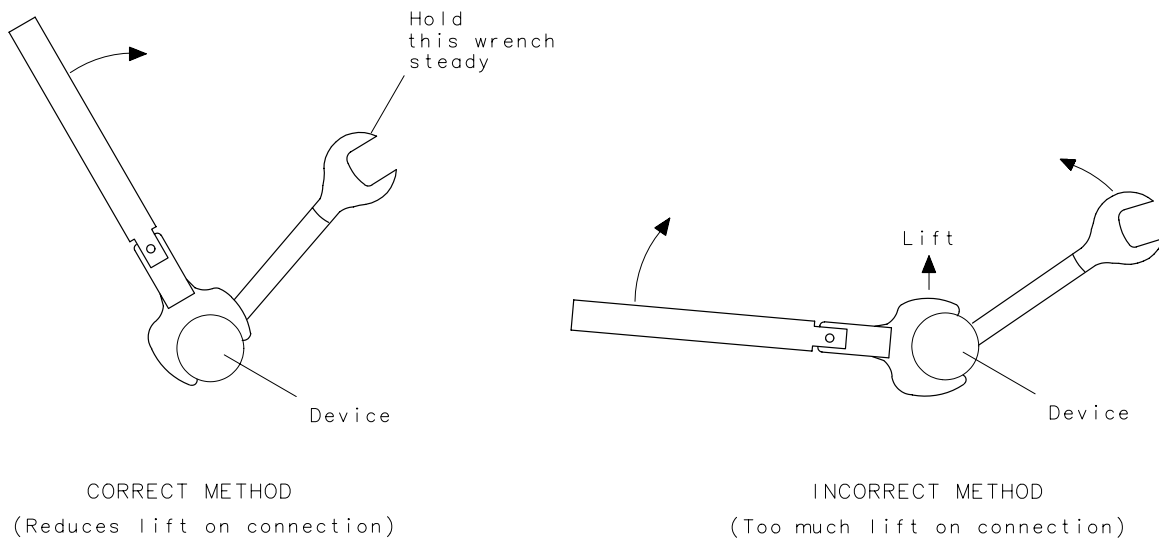
Table 3-1 Torque Wrench Information

Connector Type	Torque Setting	Torque Tolerance
Type-F	168 N-cm (15 in-lb)	±16.8 N-cm (±1.5 in-lb)

Using a torque wrench guarantees that the connection is not too tight, preventing possible connector damage. It also guarantees that all connections are equally tight each time.

2. Prevent the rotation of anything other than the connector nut that you are tightening. It may be possible to do this by hand if one of the connectors is fixed (as on a test port). In all situations, however, it is recommended that you use an open-end wrench to keep the body of the device from turning. Refer to [Chapter 6, "Replaceable Parts,"](#) for part number and ordering information.
3. Position both wrenches within 90 degrees of each other before applying force. See [Figure 3-3](#). Wrenches opposing each other (greater than 90 degrees apart) will cause a lifting action which can misalign and stress the connections of the devices involved. This is especially true when several devices are connected together.

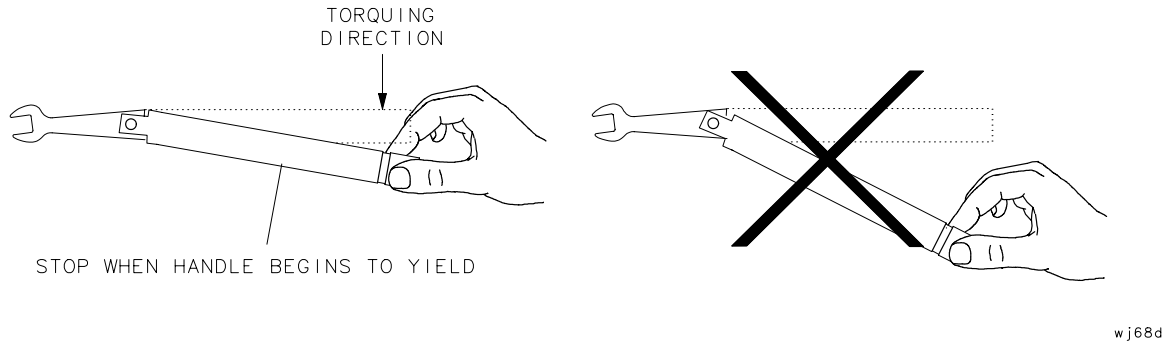
Figure 3-3 Wrench Positions



wj56f

4. Hold the torque wrench lightly, at the end of the handle only (beyond the groove). See [Figure 3-4](#).

Figure 3-4 Using the Torque Wrench



5. Apply downward force perpendicular to the wrench handle. See [Figure 3-4](#). This applies torque to the connection through the wrench.
Do not hold the wrench so tightly that you push the handle straight down along its length rather than pivoting it, otherwise you apply an unknown amount of torque.
6. Tighten the connection just to the torque wrench break point. The wrench handle gives way at its internal pivot point. See [Figure 3-4](#). Do not tighten the connection further.

CAUTION You don't have to fully break the handle of the torque wrench to reach the specified torque; doing so can cause the handle to kick back and loosen the connection. Any give at all in the handle is sufficient torque.

Do not pivot the wrench handle on your thumb or other fingers, otherwise you apply an unknown amount of torque to the connection when the wrench reaches its break point.

Do not twist the head of the wrench relative to the outer conductor mating plane. If you do, you apply more than the recommended torque.

How to Separate a Connection

To avoid lateral (bending) force on the connector mating plane surfaces, always support the devices and connections.

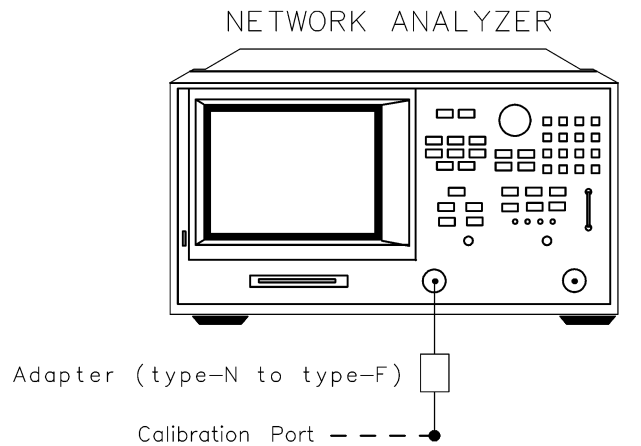
CAUTION Turn the connector nut, **not** the device body. Major damage to the center conductor can occur if the device body is twisted.

1. Use an open-end wrench to prevent the device body from turning.
2. Use another open-end wrench to loosen the connector nut.
3. Complete the separation by hand, turning only the connector nut.
4. Pull the connectors straight apart without twisting, rocking, or bending either of the connectors.

Using the Adapters in Reflection Measurements

To calibrate for reflection measurements, connect the adapters to the instrument's test port as shown in [Figure 3-5](#).

Figure 3-5 Adapter Configuration for a Reflection Measurement



pk43b

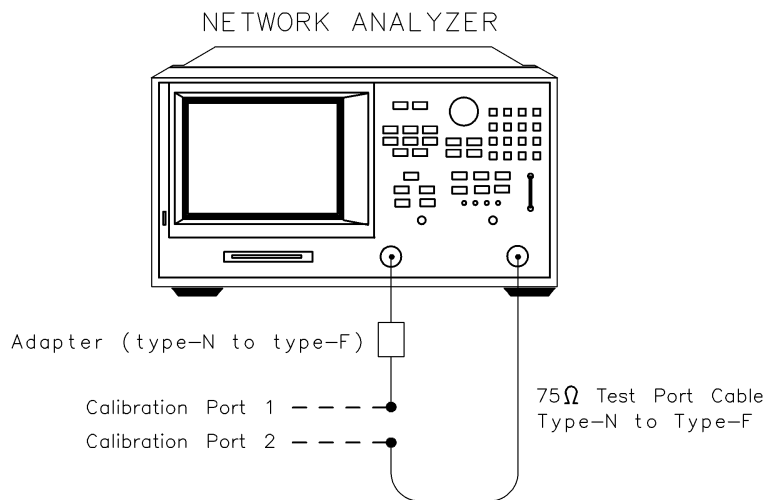
Perform a one-port calibration using the open, short, and load in this kit.

When the calibration is completed, the effective test port will be at the end of the type-F adapter. See [Figure 3-5](#). Refer to your network analyzer user's guide for instructions on performing a one-port calibration.

Using the Adapters in Reflection/Transmission Measurements

To calibrate for reflection and transmission measurements, connect the adapters and test port cable to the instrument's test ports as shown in [Figure 3-6](#).

Figure 3-6 Adapter Configuration for a Reflection/Transmission Measurement



Perform a two-port calibration while incorporating the following instructions. Refer to your network analyzer user's guide for instructions on performing a two-port calibration.

1. Do the *reflection* portion of the calibration with the type-F adapters connected as shown in [Figure 3-6](#).
2. Do the *transmission* portion of the calibration by connecting the type-F male and female ports together.
3. If you choose to do the *isolation* portion of the calibration, connect the male terminations to the female test port. The match of the terminations for this part of the calibration does not have to be ideal; a return loss of 20 dB or greater will be sufficient.

The instrument is now calibrated with the effective test ports at the ends of the type-F adapters.

Handling and Storage

- Install the protective end caps and store the calibration devices in the foam-lined storage case when not in use.
- Never store connectors loose in a box, desk, or bench drawer. This is the most common cause of connector damage during storage.
- Keep connectors clean.
- Do not touch mating plane surfaces. Natural skin oils and microscopic particles of dirt are easily transferred to a connector interface and are very difficult to remove.
- Do not set connectors contact-end down on a hard surface. The plating and the mating plane surfaces can be damaged if the interface comes in contact with any hard surface.

4 Performance Verification

Introduction

The performance of your calibration kit can only be verified by returning the kit to Agilent Technologies for recertification. The equipment required to verify the specifications of the devices in the kit has been specially manufactured and is not commercially available.

How Agilent Verifies the Devices in This Kit

Agilent verifies the specifications of these devices as follows:

1. The residual microwave error terms of the test system are verified with precision airlines and shorts that are directly traced to NIST (National Institute of Standards and Technology). The airline and short characteristics are developed from mechanical measurements. The mechanical measurements and material properties are carefully modeled to give very accurate electrical representation. The mechanical measurements are then traced to NIST through various plug and ring gages and other mechanical measurements.
2. Each calibration device is electrically tested on this system. For the initial (before sale) testing of the calibration devices, Agilent includes the test measurement uncertainty as a guardband to guarantee each device meets the published specification. For recertifications (after sale), no guardband is used and the measured data is compared directly with the specification to determine the pass or fail status. The measurement uncertainty for each device is, however, recorded in the calibration report that accompanies recertified kits.

These two steps establish a traceable link to NIST for Agilent to the extent allowed by the institute's calibration facility. The specifications data provided for the devices in this kit is traceable to NIST through Agilent Technologies.

Recertification

The following will be provided with a recertified kit:

- a new calibration sticker affixed to the case
- a certificate of calibration
- a calibration report for each device in the kit listing measured values, specifications, and uncertainties

NOTE A list of NIST traceable numbers may be purchased upon request to be included in the calibration report.

Agilent Technologies offers a *Standard* calibration for the recertification of this kit. For more information, contact Agilent Technologies. See [Table 5-1 on page 5-3](#).

How Often to Recertify

The suggested initial interval for recertification is 12 months or sooner. The actual need for recertification depends on the use of the kit. After reviewing the results of the initial recertification, you may establish a different recertification interval that reflects the usage and wear of the kit.

NOTE The recertification interval should begin on the date the kit is *first used* after the recertification date.

Where to Send a Kit for Recertification

Contact Agilent Technologies for information on where to send your kit for recertification. See [Table 5-1 on page 5-3](#).

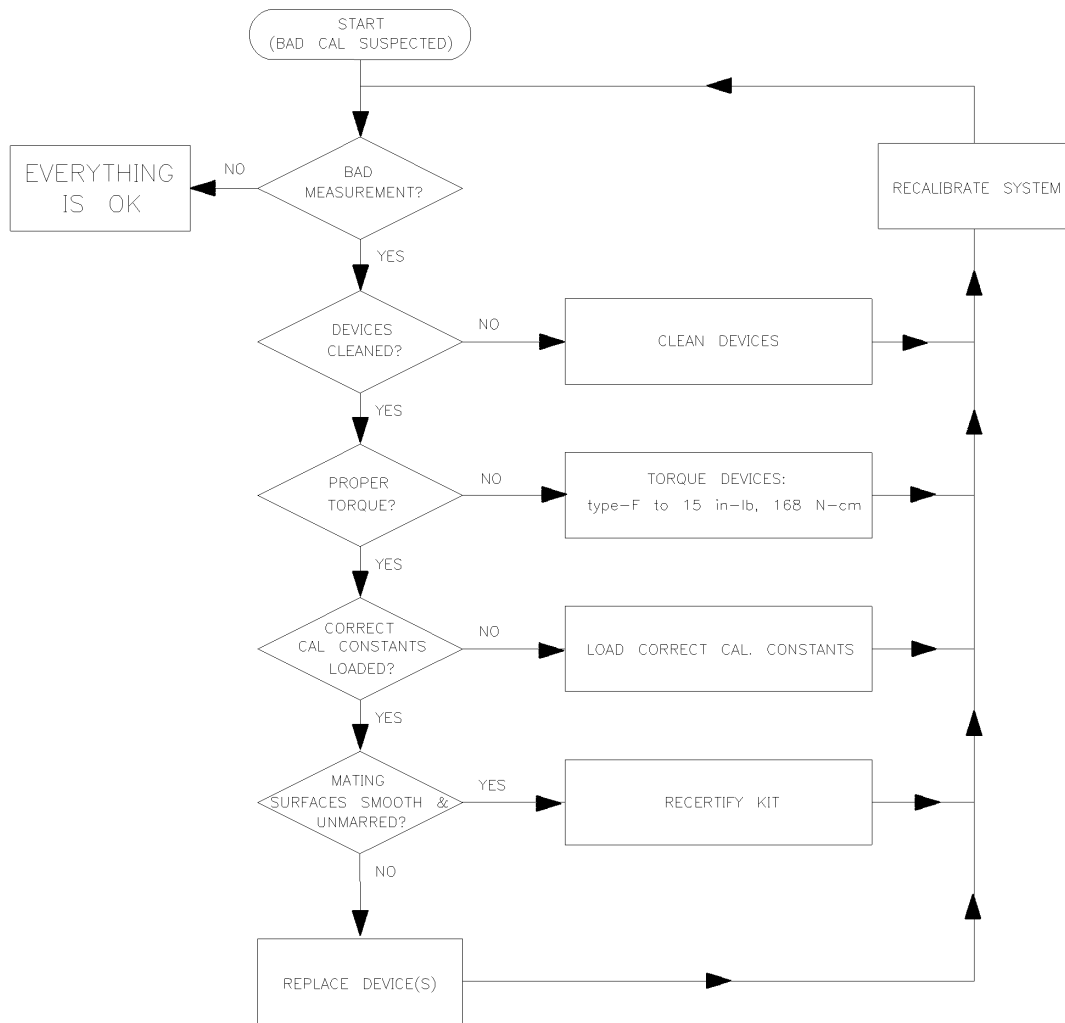
When you return the kit, complete and attach a service tag. Refer to [“Returning a Kit or Device to Agilent” on page 5-3](#) for details.

5 Troubleshooting

Troubleshooting Process

If you suspect a bad calibration, or if your network analyzer does not pass performance verification, follow the steps in [Figure 5-1](#).

Figure 5-1 Troubleshooting Flowchart



pk45b

Returning a Kit or Device to Agilent

If your kit or device requires service, contact the Agilent Technologies office nearest you for information on where to send it. See [Table 5-1](#). Include a service tag (located near the end of this manual) on which you provide the following information:

- your company name and address
- a technical contact person within your company, and the person's complete phone number
- the model number and serial number of the kit
- the part number and serial number of each device
- the type of service required
- a *detailed* description of the problem and how the device was being used when the problem occurred (such as calibration or measurement)

Table 5-1 Contacting Agilent

Online assistance: www.agilent.com/find/assist

United States <i>(tel)</i> 1 800 452 4844	Latin America <i>(tel)</i> (305) 269 7500 <i>(fax)</i> (305) 269 7599	Canada <i>(tel)</i> 1 877 894 4414 <i>(fax)</i> (905) 282-6495	Europe <i>(tel)</i> (+31) 20 547 2323 <i>(fax)</i> (+31) 20 547 2390
New Zealand <i>(tel)</i> 0 800 738 378 <i>(fax)</i> (+64) 4 495 8950	Japan <i>(tel)</i> (+81) 426 56 7832 <i>(fax)</i> (+81) 426 56 7840	Australia <i>(tel)</i> 1 800 629 485 <i>(fax)</i> (+61) 3 9210 5947	Singapore <i>(tel)</i> 1 800 375 8100 <i>(fax)</i> (65) 836 0252
Malaysia <i>(tel)</i> 1 800 828 848 <i>(fax)</i> 1 800 801 664	Philippines <i>(tel)</i> (632) 8426802 <i>(tel)</i> (PLDT subscriber only): 1 800 16510170 <i>(fax)</i> (632) 8426809 <i>(fax)</i> (PLDT subscriber only): 1 800 16510288	Thailand <i>(tel)</i> outside Bangkok: (088) 226 008 <i>(tel)</i> within Bangkok: (662) 661 3999 <i>(fax)</i> (66) 1 661 3714	Hong Kong <i>(tel)</i> 800 930 871 <i>(fax)</i> (852) 2506 9233
Taiwan <i>(tel)</i> 0800-047-866 <i>(fax)</i> (886) 2 25456723	People's Republic of China <i>(tel)</i> (preferred): 800-810-0189 <i>(tel)</i> (alternate): 10800-650-0021 <i>(fax)</i> 10800-650-0121	India <i>(tel)</i> 1-600-11-2929 <i>(fax)</i> 000-800-650-1101	

6 Replaceable Parts

Introduction

Table 6-1 lists the replacement part numbers for items included in the 85039B Option M0F calibration kit and Figure 6-1 illustrates each of these items.

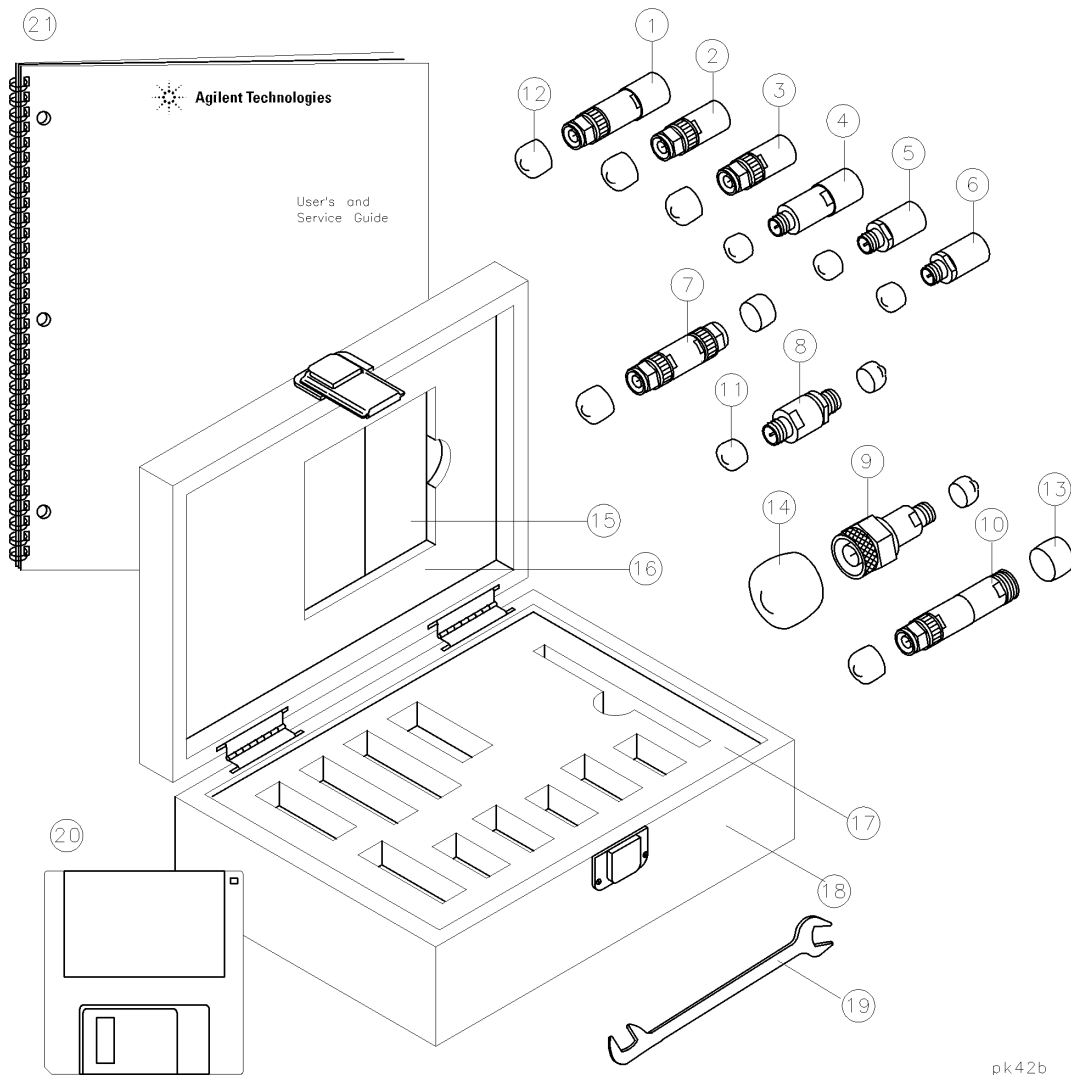
Table 6-2 lists the replacement part numbers for items included in the 85039B Option 00M calibration kit.

Table 6-3 lists the replacement part numbers for items included in the 85039B Option 00F calibration kit.

Table 6-4 lists the replacement part numbers for items recommended or required for successful operation but not included in the calibration kits.

To order a listed part, note the description, the part number, and the quantity desired. Telephone or send your order to Agilent Technologies. See Table 5-1 on page 5-3.

Figure 6-1 Replaceable Parts for the 85039B Option M0F Calibration Kit



pk42b

Table 6-1 Replaceable Parts for the 85039B Option M0F Calibration Kit

Item No.	Description	Qty Per Kit	Agilent Replacement Part Number
Calibration Devices^a			
1	75Ω Type-F Male Load	1	85039-60007
2	75Ω Type-F Male Short	1	85039-60008
3	75Ω Type-F Male Open	1	85039-60009
4	75Ω Type-F Female Load	1	85039-60004
5	75Ω Type-F Female Short	1	85039-60003
6	75Ω Type-F Female Open	1	85039-60005
Adapters^a			
7	75Ω Type-F Male to Type-F Male	1	85039-60006
8	75Ω Type-F Female to Type-F Female	1	85039-60002
9	75Ω Type-F Female to Type-N Male	1	85039-60013
10	75Ω Type-F Male to Type-N Female	1	85039-60011
Protective End Caps for Connectors			
11	For Type-F Female	as required	1401-0208
12	For Type-F Male	as required	1401-0285
13	For Type-N Female	as required	1401-0225
14	For Type-N Male	as required	1401-0214
Calibration Kit Storage Case			
15	Disk Holder	1	5180-8491
16	Foam Pad (top)	1	85039-80005
17	Foam Pad (bottom)	1	85039-80005
18	Box (without foam pads)	1	5180-7862
Miscellaneous Items			
19	12 mm open-end wrench	1	8710-1841
20	Calibration Definitions Disk	1	85039-10002
21	User's and Service Guide	1	85039-90002

a. See [“Clarifying the Sex of a Connector”](#) on page 1-6.

Table 6-2 Replaceable Parts for the 85039B Option 00M Calibration Kit

Item No.	Device	Qty per kit	Agilent Replacement Part Number
Calibration Devices^a			
1	75Ω Type-F Male Load	1	85039-60007
2	75Ω Type-F Male Short	1	85039-60008
3	75Ω Type-F Male Open	1	85039-60009
Adapters^a			
7	75Ω Type-F Male to Type-F Male	1	85039-60006
Additional Items			
19	12 mm open-end wrench	1	8710-1841
20	Calibration Definitions Disk	1	85039-10002
21	User's and Service Guide	1	85039-90002

a. See [“Clarifying the Sex of a Connector”](#) on page 1-6.

Table 6-3 Replaceable Parts for the 85039B Option 00F Calibration Kit

Item No.	Device	Qty per kit	Agilent Replacement Part Number
Calibration Devices^a			
4	75Ω Type-F Female Load	1	85039-60004
5	75Ω Type-F Female Short	1	85039-60003
6	75Ω Type-F Female Open	1	85039-60005
Adapters^a			
8	75Ω Type-F Female to Type-F Female	1	85039-60002
Additional Items			
19	12 mm open-end wrench	1	8710-1841
20	Calibration Definitions Disk	1	85039-10002
21	User's and Service Guide	1	85039-90002

a. See [“Clarifying the Sex of a Connector”](#) on page 1-6.

Table 6-4 Items Not Included in the 85039B Calibration Kits

Description ^a	Qty Per Kit	Agilent Replacement Part Number
75Ω Type-F Test Port Cable Set		11857F
Isopropyl Alcohol (30 ml)		8500-5344
Cleaning Swabs (100)		9301-1243
Grounding Wrist Strap		9300-1367
5 ft. Grounding Cord for Wrist Strap		9300-0980
2 × 4 ft. Conductive Table Mat and 15 ft. Ground Wire		9300-0797
ESD Heel Strap (for conductive floors)		9300-1126
Torque Wrench		8710-2687
75Ω Type-F Male to Type-N Male Adapter		85039-60010
75Ω Type-F Male to Type-F Female Adapter		85039-60012
75Ω Type-F Female to Type-N Female Adapter		85039-60014

a. See [“Clarifying the Sex of a Connector” on page 1-6.](#)

A Standard Definitions

Standard Class Assignments

Class assignment organizes calibration standards into a format compatible with the error models used in the measurement calibration. A class or group of classes corresponds to the systematic errors to be removed from the measured network analyzer response. [Table A-1](#) lists the classes of the devices in this calibration kit.

Table A-1 Standard Class Assignments

Calibration Kit Label: F 75 Ω								
Class	A	B	C	D	E	F	G	Standard Class Label
S ₁₁ A	2							Opens
S ₁₁ B	1							Shorts
S ₁₁ C	3							Load
S ₂₂ A	2							Opens
S ₂₂ B	1							Shorts
S ₂₂ C	3							Load
Forward Transmission	4							Thru
Reverse Transmission	4							Thru
Forward Match	4							Thru
Reverse Match	4							Thru
Response	1	2	4					Response
Response and Isolation	1	2	4					Response & Isolation

Blank Form

The standard class assignments listed in [Table A-1](#) may be changed to meet your specific requirements. [Table A-2](#) is provided to record the modified standard class assignments.

Table A-2 Standard Class Assignments Blank Form

Calibration Kit Label: _____								
Class	A	B	C	D	E	F	G	Standard Class Label
S ₁₁ A								
S ₁₁ B								
S ₁₁ C								
S ₂₂ A								
S ₂₂ B								
S ₂₂ C								
Forward Transmission								
Reverse Transmission								
Forward Match								
Reverse Match								
Response								
Response and Isolation								

Nominal Standard Definitions

Standard definitions provide the constants needed to mathematically model the electrical characteristics (delay, attenuation, and impedance) of each calibration standard. The nominal values of these constants are theoretically derived from the physical dimensions and material of each calibration standard, or from actual measured response. These values are used to determine the measurement uncertainties of the network analyzer. The standard definitions in [Table A-3](#) list typical calibration kit parameters used to specify the mathematical model of each device. This information must be loaded into the network analyzer to perform valid calibrations. Refer to your network analyzer user's guide for instructions on loading calibration constants.

NOTE The values in the standard definitions table are valid *only* over the specified operating temperature range.

Setting the System Impedance

This kit contains only 75 ohm devices. Ensure the system impedance (Z_0) is set to 75 ohms. Refer to your network analyzer user's guide for instructions on setting system impedance.

Table A-3 Standard Definitions

Standard ^b		Calibration Kit Label: F 75 Ω											
Number	Type	$C0 \times 10^{-15}$ F	$C1 \times 10^{-27}$ F/Hz	$C2 \times 10^{-36}$ F/Hz ²	$C3 \times 10^{-45}$ F/Hz ³	Fixed or Sliding ^c	Offset			Freq (GHz)		Coax or Waveguide	Standard Label ^d
							Delay (ps)	Z_0 Ω	Loss (Ω/s)	Min	Max		
1	Short						57.0p	75	1.80G	0	999	Coax	Short (m) ^d
2	Open	42.945	98.367	706.93	-114.957		53.6p	75	1.64G	0	999	Coax	Open (m) ^d
3	Load					Fixed	0	75	1.13G	0	999	Coax	Broad-band
4	Delay/Thru						-129.0	75	1.13G	0	999	Coax	Thru
5													
6													
7													
8													

- a. Ensure system impedance (Z_0) of network analyzer is set to this value.
- b. Open, short, load, delay/thru, or arbitrary impedance.
- c. Load or arbitrary impedance only.
- d. Standard labels that specify sex, (m) or (f), refer to the sex of the analyzer's test port connector.

Blank Form

The standard definitions listed in [Table A-3](#) may be changed to meet your specific requirements. [Table A-4](#) is provided to record the modified standard definitions.

Table A-4 Standard Definitions Blank Form

System $Z_0^a =$ _____							Calibration Kit Label: _____						
Standard ^b		$C0 \times 10^{-15}$ F	$C1 \times 10^{-27}$ F/Hz	$C2 \times 10^{-36}$ F/Hz ²	$C3 \times 10^{-45}$ F/Hz ³	Fixed or Sliding ^c	Offset			Freq (GHz)		Coax or Waveguide	Standard Label ^d
Number	Type						Delay (ps)	$Z_0 \Omega$	Loss (GΩ/s)	Min	Max		
1													
2													
3													
4													
5													
6													
7													
8													

- a. Ensure system Z_0 of network analyzer is set to this value.
- b. Open, short, load, delay/thru, or arbitrary impedance.
- c. Load or arbitrary impedance only.
- d. Standard labels that specify sex, (m) or (f), refer to the sex of the analyzer's test port connector.

A

- adapters, 1-3
 - use of, 3-10, 3-11
- alcohol
 - isopropyl
 - as cleaning solvent, 3-4

B

- blank form
 - standard class assignments, A-3
 - standard definitions, A-5
- broadband loads, 1-3

C

- cal kit
 - contents, 1-2
 - Option 00F, 1-2
 - Option 00M, 1-2
 - Option M0F, 1-2
 - overview, 1-2
 - return to Agilent, 5-3
 - serial number, 1-5
- calibration
 - bad, 5-2
 - certificate of, 4-2
 - constants, 1-3
 - permanently stored, 1-3
 - standards, 2-4
 - temperature, 2-2
- calibration constants
 - entering, 1-3
 - permanently stored, 1-3
- calibration definitions, 1-3
- calibration kit
 - overview, 1-2
 - return to Agilent, 5-3
 - serial number, 1-5
- calibration report, 4-2
- calibration sticker, 4-3
- certificate of calibration, 4-2
- certification
 - specifications, 2-4
- characteristics
 - mechanical, 2-3
- class assignment
 - standard, A-2
- class assignments
 - blank form, A-3
- cleaning connectors, 3-4
- cleaning supplies, 1-4
- compressed air or nitrogen, 3-4
- connections, 3-2, 3-6, 3-9
 - cautions in making, 3-6
 - disconnecting, 3-9
 - ESD concerns, 3-6
 - final, 3-7
 - how to make, 3-6
 - preliminary, 3-6
 - undoing, 3-9

- using a torque wrench, 3-7
- connector
 - cleaning, 3-4
 - damage, 3-3
 - female, 3-4
 - life, 3-3
 - mating plane, 3-5
 - precision slotless (female), 3-4
 - sex, 1-6
 - threads, 3-4
 - visual inspection, 3-3
 - wear, 3-3
- constants
 - calibration, 1-3
 - entering, 1-3
 - permanently stored, 1-3
- contacting Agilent Technologies, 5-3
- contents
 - kit, 1-2

D

- damage
 - shipment, 1-4
 - to connectors, 3-3
- damaged connectors, 3-3
- data, recertification, 4-2
- defective connectors, 3-3
- definitions
 - standard, A-4
- device
 - connecting, 3-6
 - disconnecting, 3-9
 - handling, 3-12
 - maintenance, 1-6
 - return to Agilent, 5-3
 - storage, 3-12
 - temperature, 2-2
 - visual inspection, 3-3
- devices
 - how Agilent verifies, 4-2
 - serial numbers, 1-5
- disconnections, 3-9
- documentation warranty, ii

E

- electrical specifications, 2-3
- electrostatic discharge, 3-2
 - when making connections, 3-6
- equipment
 - required, 1-4
 - but not supplied, 1-4, 6-2
 - supplied, 1-2, 6-2
- ESD, 3-2
 - precautions, 3-2, 3-4
 - when making connections, 3-6

F

- frequency
 - specifications, 2-4

Index

G

gages, 1-4

H

handling, 3-12

I

impedance

system, A-4

incoming inspection, 1-4

inspection

damage, 3-3

defects, 3-3

incoming, 1-4

mating plane, 3-3

visual, 3-3

isopropyl alcohol

as cleaning solvent, 3-4

K

kit

contents, 1-2

overview, 1-2

return to Agilent, 5-3

serial number, 1-5

L

label

calibration, 4-3

loads

broadband, 1-3

M

maintenance, 3-2

preventive, 1-6

maintenance of devices, 1-6

making connections, 3-6

mating plane

connector, 3-5

mating plane inspection, 3-3

mating plane surfaces, 3-5

measurements

reflection, 3-10, 3-11

transmission, 3-11

mechanical characteristics, 2-3

N

nitrogen, 3-4

nominal standard definitions, A-4

numbers

serial, 1-5

recording, 1-5

O

offices

sales and service, 5-3

open-end wrench, 1-4, 3-9

opens, 1-3

opens and shorts, 1-3

Option 00F, 1-2, 6-4

Option 00M, 1-2, 6-4

Option M0F, 1-2, 6-3

ordering parts, 6-1, 6-2

P

part numbers, 6-1, 6-2

parts

ordering, 6-2

replaceable, 6-2

required but not supplied, 6-2

parts, replacing, 6-1

performance verification, 4-2

fail, 5-2

permanently stored calibration definitions, 1-3

precision slotless connectors, 3-4

preventive maintenance, 1-6

R

recertification, 4-3

how often?, 4-3

interval, 4-3

what's included, 4-3

where to send your kit, 4-3

reflection measurements, 3-10, 3-11

regulations

environmental, 3-5

replaceable parts, 6-1, 6-2

requirements

environmental, 2-2

return loss

specifications, 2-4

return, kit or device, 5-3

S

sales

and service offices, 5-3

sales and service offices, 5-3

serial numbers, 1-5

devices, 1-5

recording, 1-5

service, 5-2

and sales offices, 5-3

service tag, 1-4, 4-3, 5-3

sex

connector, 1-6

shipment

damage, 1-4

verifying complete, 1-4

shorts, 1-3

specifications, 2-2

certification, 2-4

electrical, 2-3

environmental, 2-2

frequency, 2-4

return loss, 2-4

temperature, 2-2

verifying, 4-2

standard class assignments, A-2

- blank form, A-3
- standard definitions, A-4, A-5
 - blank form, A-5
 - nominal, A-4
- standards
 - calibration, 2-4
 - NIST, 2-4, 4-3
- static discharge, 3-2
- sticker
 - calibration, 4-3
- storage, 3-12
- supplies
 - cleaning, 1-4
- system impedance
 - setting, A-4

T

- tag
 - service, 1-4, 4-3, 5-3
- temperature
 - calibration, 2-2
 - device, 2-2
 - error-corrected temperature range, 2-2
 - measurement, 2-2
 - verification and measurement, 2-2
- test data, 4-2
- threads
 - connector, 3-4
- torque wrench, 1-4, 3-7
 - specifications, 3-7
- traceability, 4-2
- transmission measurements, 3-11
- troubleshooting, 5-2

V

- verification
 - performance, 4-2
 - temperature, 2-2
- visual inspection, 3-3

W

- warranty, documentation, ii
- wrench
 - open-end, 1-4, 3-9
 - undoing connections, 3-9
- torque, 1-4